



# 3 Door Prep Table Supreme Specifications

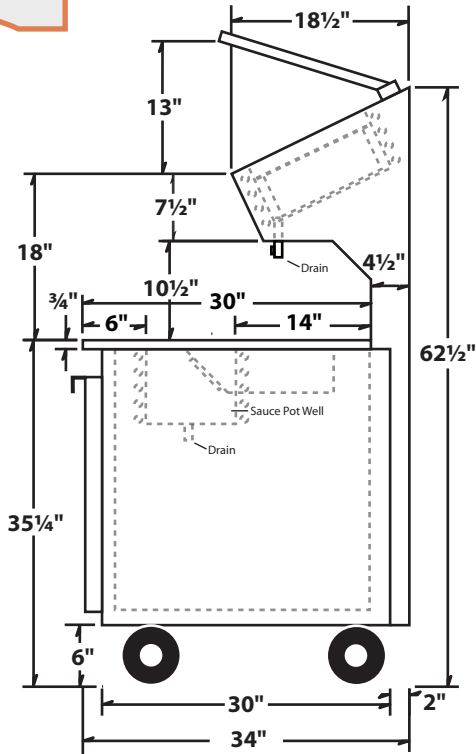
Model No. BM87S, BM90S & BM96S

Phone: (631) 226-6688

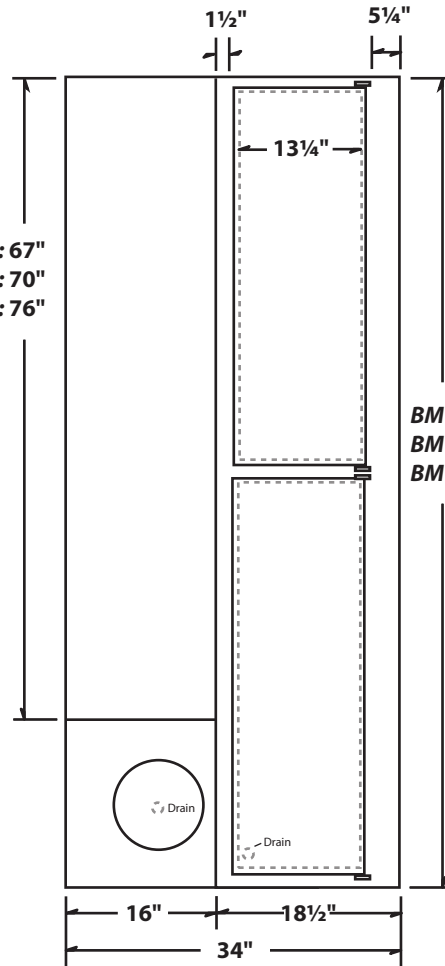
FAX: (631) 226-6890



side view



top view



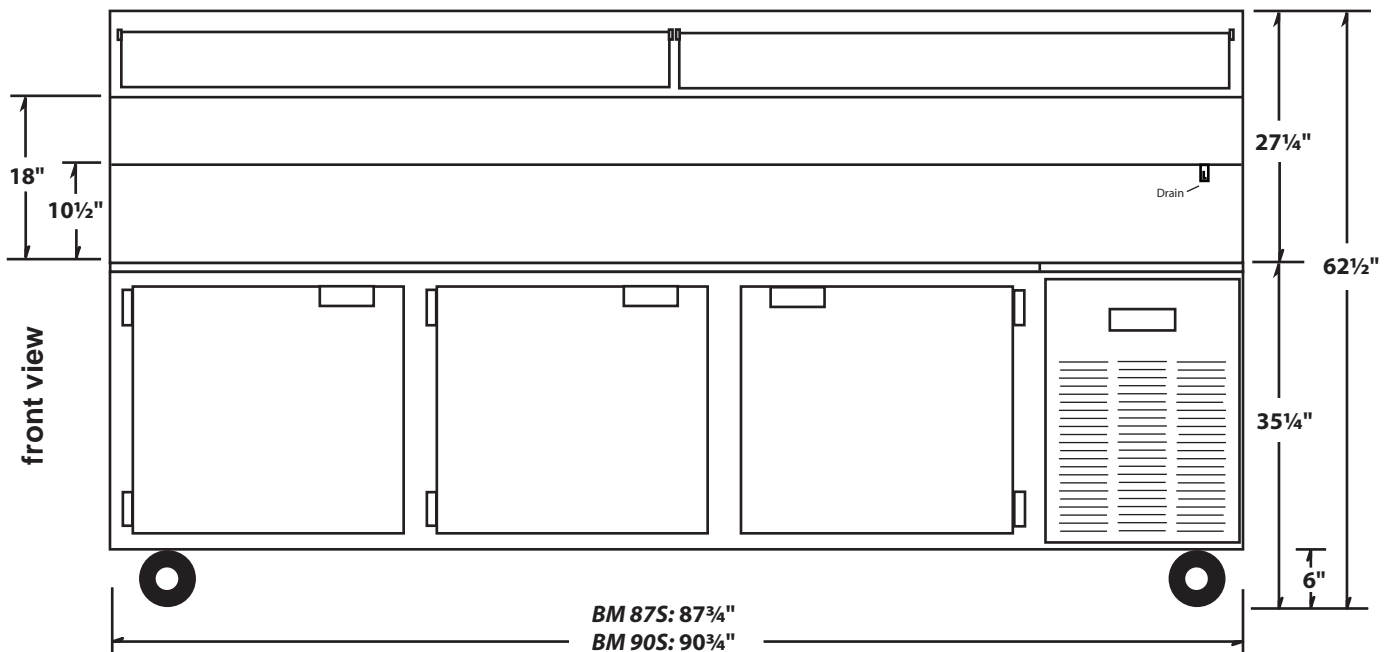
BM 87S: 67"  
BM 90S: 70"  
BM 96S: 76"

BM 87S: 87<sup>3</sup>/<sub>4</sub>"  
BM 90S: 90<sup>3</sup>/<sub>4</sub>"  
BM 96S: 96<sup>3</sup>/<sub>4</sub>"

## specifications

	BM 87S	BM 90S	BM 96S
Height (including wheels)	62 <sup>1</sup> / <sub>2</sub> "	62 <sup>1</sup> / <sub>2</sub> "	62 <sup>1</sup> / <sub>2</sub> "
Depth x Length	34 <sup>1</sup> / <sub>2</sub> " x 87"	34 <sup>1</sup> / <sub>2</sub> " x 90"	34 <sup>1</sup> / <sub>2</sub> " x 96"
Electrical	115 VAC	115 VAC	115 VAC
Refrigerant Type	R134a	R134a	R134a
Horsepower/Amp.	3/4HP / 13 amp	3/4HP / 13 amp	3/4HP / 13 amp
Number of Doors	3 (19"w)	3 (19"w)	3 (19"w)

front view



BM 87S: 87<sup>3</sup>/<sub>4</sub>"  
BM 90S: 90<sup>3</sup>/<sub>4</sub>"  
BM 96S: 96<sup>3</sup>/<sub>4</sub>"